

EFS9010DFS

90cm 10 Function Dual Fuel Freestanding Cooker | Stainless Steel

Euromaid



FEATURES & BENEFITS



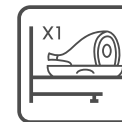
148L CAPACITY

Class-leading 148L capacity. Make the most of your oven with extra-large cavity space, providing more room to cook on multiple oven shelves and perfect for entertaining.



WOK BURNER

The powerful 21MJ/h wok burner gives you power and control, delivering consistent heat for cooking from a slow simmer to stir frying over high heat.



TELESCOPIC RAILS

The fully-extendable telescopic rails glide smoothly in and out of the oven cavity. Perfect for handling heavy cookware or quickly checking the progress of your cooking.



EASY STEAM

The Easy Steam function combines hot air cooking with the benefits of steam, to bring out the flavour in food, cooking it more evenly and producing juicy and crispy results.



DIGITAL TIMER

The touch control digital timer can be programmed for a variety of timer functions, including cooking duration or end-time, which is displayed brightly on the LED display.



MULTIFUNCTION

10 oven functions for ultimate flexibility, including Fan Forced for perfectly even baking, or Rapid Cook which can help reduce preheating by up to 25%.

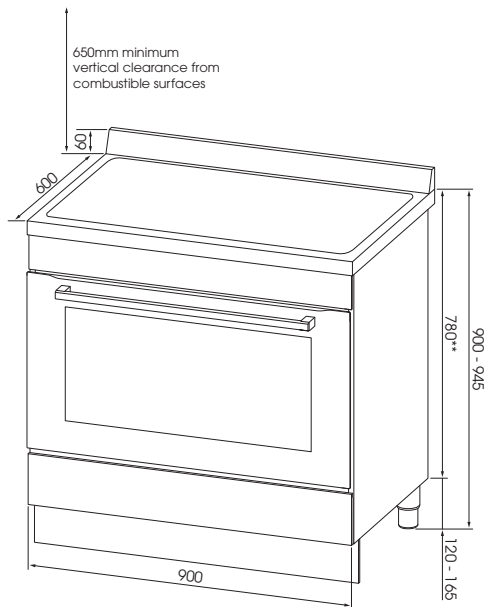
2 YEAR WARRANTY

EFS9010DFS

90cm 10 Function Dual Fuel Freestanding Cooker | Stainless Steel

Euromaid

FUNCTIONS



CONTROLS	
Oven Function / Temperature	Knob Control
Cooktop	Knob Control
Timer	Touch Control

TIMER	
Programmable Timer	Yes
Kitchen Timer	Yes
Controls / Display	Touch Control / White LED

OVEN FEATURES	
Actual Capacity	148L
Usable Capacity	133L
No. Shelf Positions	5
Removeable Side Racks	Yes
Door Type	Triple-glazed, Removable
Oven Cooling System	Yes
Cavity Type	Fully-sealed
Oven Light	Twin, Top & Side
Oven Fans	Twin
Easy Steam Cavity Well	Yes
Storage Drawer	Yes

COOKTOP FEATURES	
Cooktop Type	Gas
No. Burners	5
Trivets	Cast Iron
Wok Support	Cast Iron
Flame Safety Device	Yes
Ignition	Automatic

GAS BURNER RATINGS	
Front Left, Rapid	11.5 MJ/h
Rear Left, Semi Rapid	6.9 MJ/h
Centre, Wok	21.0 MJ/h
Front Right, Auxiliary	4.0 MJ/h
Rear Right, Semi Rapid	6.9 MJ/h

ACCESSORIES	
Chrome Wire Shelves	2
Enamelled Baking Trays	2
Grill Inserts	2
Baking Tray Holder	1
Full-extension Telescopic Rail	1
Kick Panel	1

INSTALLATION	
Assessed Maximum Demand [^]	16A
Rated Connected Load	16A
Rated Voltage	220 - 240V, 50 - 60Hz
Total Power	3600W
Gas Type	NG / ULPG
LPG Conversion Kit	Included
Installation Type	Freestanding & Slot In**

DIMENSIONS (W x H x D)	
Product (mm)	900 x 900 - 945 x 600

**Height with legs removed for slot in installation on a plinth.

[^]The amperage noted is the assessed maximum demand as per Table C5 Maximum Demand – Domestic Cooking Appliances found in the AS/NZ 3000 – 2018 wiring rules. This appliance needs to be installed by a licensed electrician who can assess the requirements of the appliance and provide installation advice applicable to the environment for which the appliance shall be installed in.