



## Health and safety

**Please read these instructions carefully before using your Mico Toastie.**

- Not suitable for conventional ovens or hobs/grills or combination microwave ovens.
- Ensure caution is taken when removing cookware from the microwave oven as it may be hot.
- Allow metal parts to cool before removing.
- Ensure metal parts are correctly fitted into moulded housing with no exposure, to prevent sparks occurring during cooking in microwave oven.
- Do not use repeatedly more than 4 times before allowing to cool for 30 minutes.
- Not for commercial use. Household use only.
- Do not use for more than 10 minutes continuously.

## Your 1 year guarantee

Guarantee only available in Australia. It is important to retain the retailer's receipt as proof of purchase. All Morphy Richards products are individually tested before leaving the factory. In the unlikely event of any appliance proving to be faulty within 28 days of purchase, it should be returned to the place of purchase for it to be replaced. If the fault develops after 28 days and within 12 months of original purchase, you should contact the Customer Care Team quoting Model number and Serial number on the product, or write to Morphy Richards at the address shown. You may be asked to return a copy of proof of purchase. Subject to exclusions, the faulty appliance will then be repaired or replaced as appropriate and dispatched usually within 7 working days of receipt. If, for any reason, this item is replaced or repaired during the 1 year guarantee period, the guarantee on the new item will be calculated from original purchase date. Therefore it is vital to retain your original till receipt or invoice to indicate the date of initial purchase. To qualify for the guarantee, the appliance must have been used according to the instructions supplied.

## Cleaning and Care

**Cleaning your Mico Toastie after each use will prolong its life.**

- Clean thoroughly before first use.
- Fully disassemble your Mico Toastie to enable thorough cleaning (see overleaf for disassembly instructions).
- All parts are dishwasher safe.
- If hand washing, do so in warm soapy water with a soft cloth to protect the non-stick coating on metal parts. Do not use scouring pads or abrasive chemicals.
- Do not use metal utensils when removing food from your Mico Toastie. Metal utensils may damage the non-stick coating on metal parts.

## Contact Us

If you are having a problem with your appliance, please call our Customer Care Team, as we are more likely to be able to help than the store you purchased the item from. Please have the product name, model number and serial number to hand when you call to help us deal with your enquiry quicker:

**Customer Care** 1300 556 816  
**Postal** 8 Lakeview Drive, Scoresby VIC 3179, Australia

## Talk To Us

If you have any questions or comments, or want some great tips or recipe ideas to help you get the most out of your products, join us online.

**Website** [www.morphyrichards.com.au](http://www.morphyrichards.com.au)  
**Facebook** [www.facebook.com/MorphyRichardsAUS](https://www.facebook.com/MorphyRichardsAUS)  
**Instagram** [www.instagram.com/morphyrichardsau](https://www.instagram.com/morphyrichardsau)



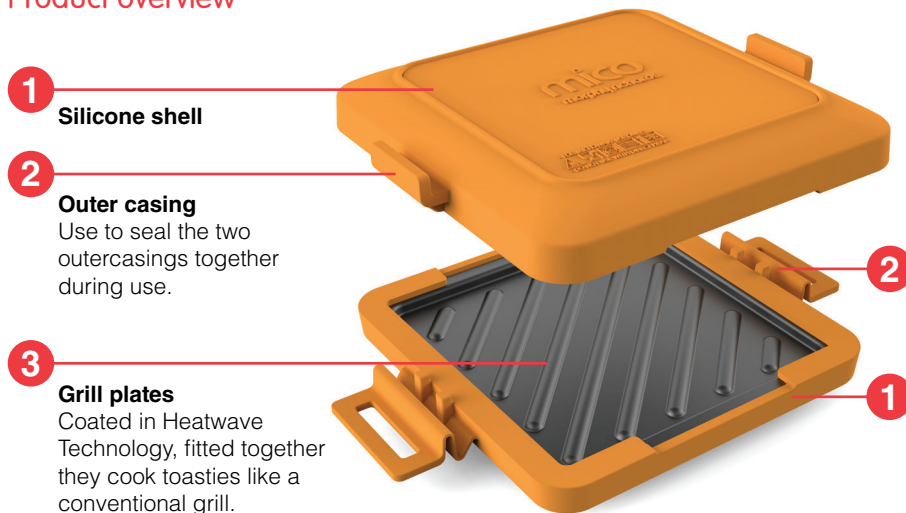
Discover the rest of the innovative Mico range at  
[www.morphyrichards.com.au](http://www.morphyrichards.com.au)



**mico**  
 microwave cookware

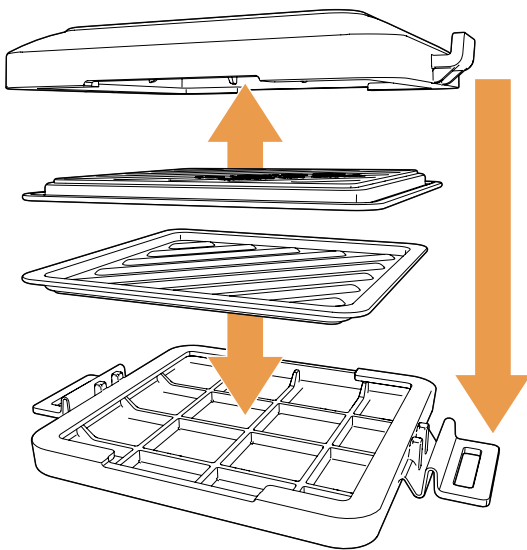
SKU: 511644

## Product overview



ADVANCED  
**HEATWAVE**  
TECHNOLOGY

Heatwave Technology uses the microwave power to mimic conventional cooking creating crispy and delicious food



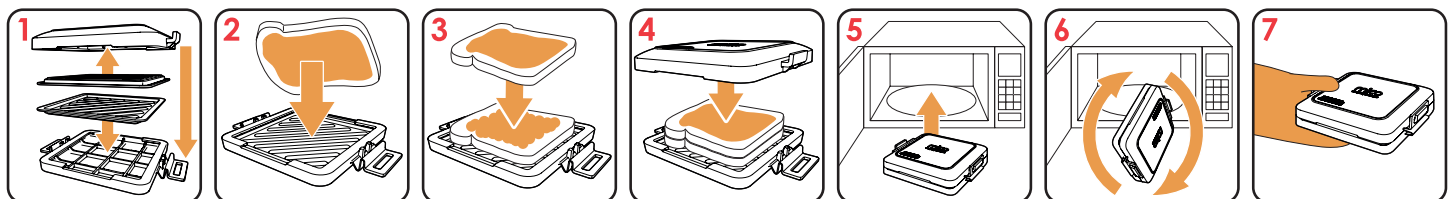
### Assembly instructions

1. Ensure the griddle lines on the metal grill plates follow the same direction. Securely fit the metal grill plates into the silicone shells.
2. Push both assembled sections together.
3. Align the clips on both the upper and lower assembled sections together. Clip into place.

### Disassembly instructions

1. Wait until Mico Toastie has cooled.
2. Unclip the clips and lift off the top assembled section.
3. Turn both assembled sections so the metal grills are facing upwards.
4. Lift the metal grill plates out of the silicone shells.

## How to use



**1** Assemble your Mico Toastie as instructed above.

**2** Butter outside of bread and place on bottom plate. For best results, use bread specially made for toasting.

**3** Add ingredients onto bread (with ingredients 1cm in from the edge). Add top slice of bread with butter facing upwards.

**4** With clips on the lower assembly compress top assembly down and pull the clips upwards until they 'lock'.

**5** Place in microwave oven on a microwavable plate. Enter correct cooking time and start.

**6** Flip your Mico Toastie midway through cooking.

**7** Remove from microwave with oven gloves. Unclip both sides and serve.

## Microwave oven times

- Max 1200W microwave oven, timings given are based on a 900W microwave.
- Microwave oven times may vary.
- For repeated use, reduce cooking times by 20 seconds.
- Do not use repeatedly more than 4 times before allowing to cool for 30 minutes.
- Timings may be adjusted to suit your personal tastes.

## Toasted Cheese and Ham Sandwich

<b>Light browning</b>
2 mins + flip + 1 min
<b>Medium browning</b>
2 mins 30 secs + flip + 1 min 30 secs
<b>High browning</b>
3 mins + flip + 2 mins