

RANGEHOODS

>> SILENT UNDERMOUNT RANGEHOOD with automatic power-off // KLS-9GLASSBLKS, KLS-9GLASS

schweigen



Glass Finish

Sleek in design, our glass finish comes in both black or white glass to suit every kitchen.



Dishwasher Safe Stainless Steel filters

Durable materials that (when regularly maintained) can be run through your dishwasher.



Automatic Power-off

Select this function and the hood will switch off automatically after 15 minutes.



Perimeter Aspiration

Uses an additional panel to create a venturi effect, which helps capture smoke, steam, grease and oil more effectively.



Silent Motor System, up to 1600m³/hr

Enjoy cooking in peace without motor noise from your appliance.



Strip LED illumination

LED lighting system allows for safe, clear vision while cooking.



4 Extraction Speeds with Touch Sensitive Control

From mild Western style cooking to traditional Eastern cuisine, select the speed that best suits your needs.



www.schweigen.com.au

RANGEHOODS

>> SILENT UNDERMOUNT RANGEHOOD

with automatic power-off // **KLS-9GLASSBLKS, KLS-9GLASS**

Installation for KLS-9GLASS and KLS-9GLASSBLKS



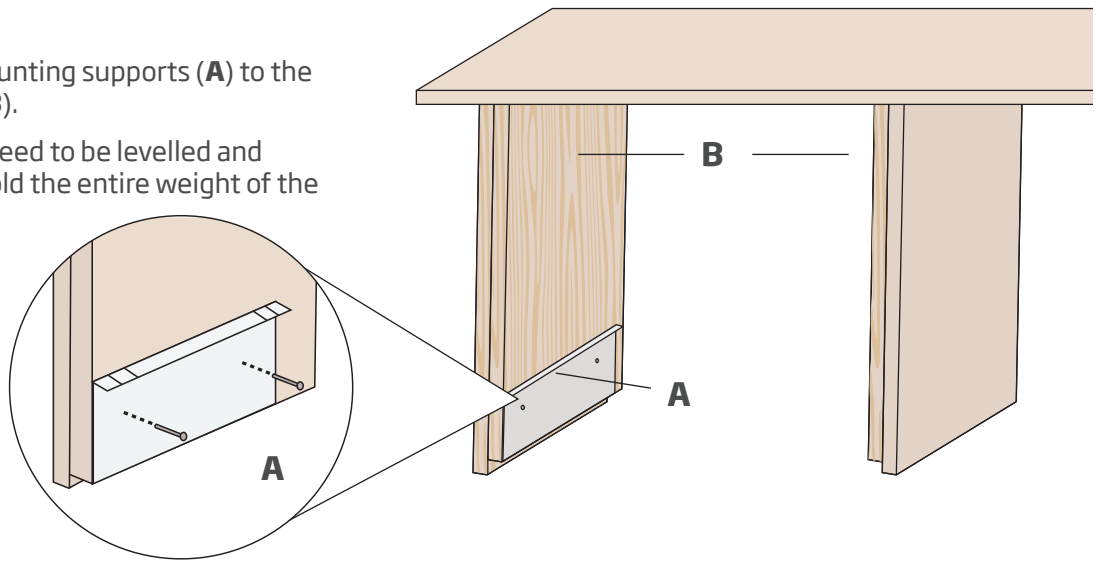
IMPORTANT

Please read the installation guide thoroughly prior to installation. These models have a different method of installation compared to standard undermounts.

Step 1

Fix the rangehood mounting supports (A) to the sides of the cabinet (B).

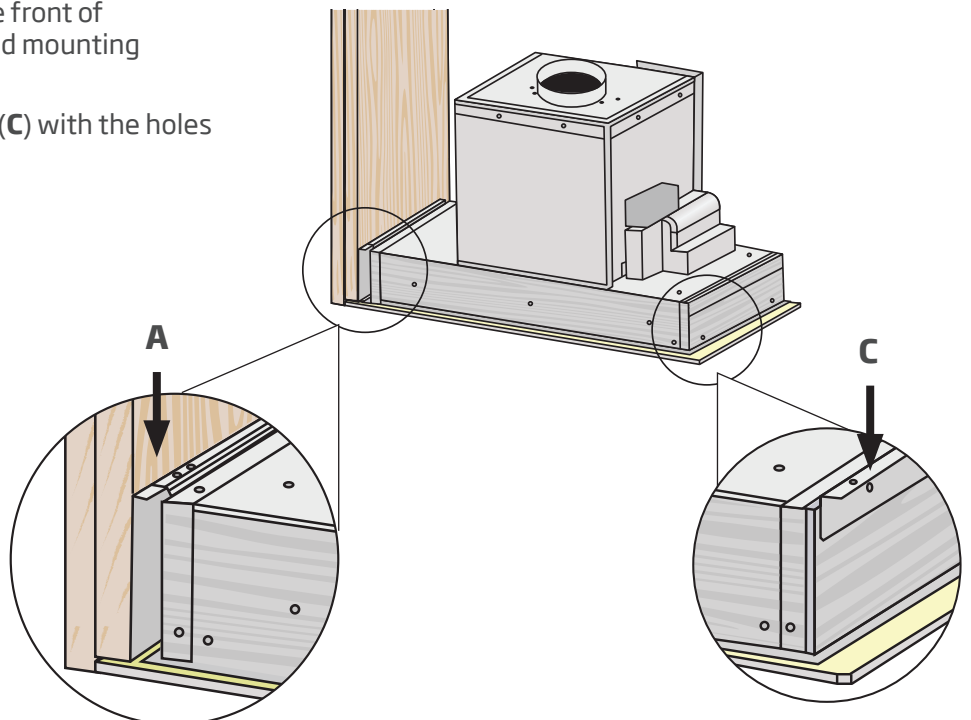
NOTE: The brackets need to be levelled and secured, in order to hold the entire weight of the undermount.



Step 2

Slide the undermount in from the front of the cabinetry, onto the rangehood mounting supports (A).

Line up the undermount bracket (C) with the holes on bracket (A).



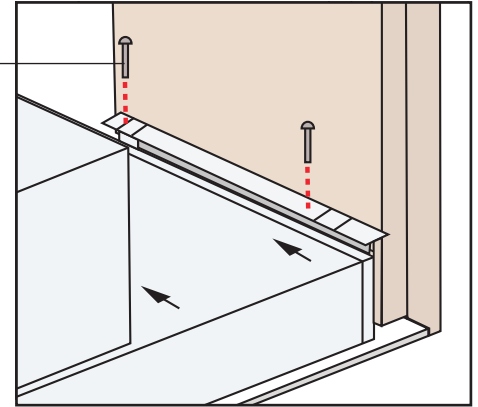
RANGEHOODS

>> SILENT UNDERMOUNT RANGEHOOD

with automatic power-off // **KLS-9GLASSBLKS, KLS-9GLASS**

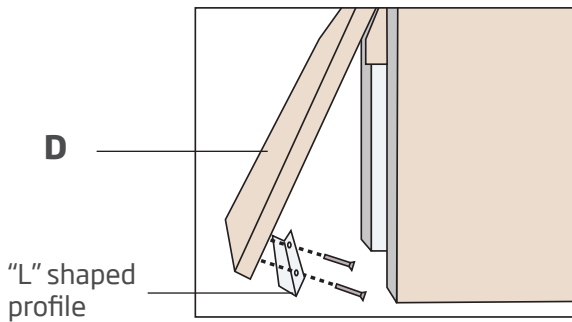
Step 3

Fit the undermount in place, using the installation screws provided (**E**).



Protecting the Cabinet Door – Optional

A reversible “L” shaped profile is provided for optional cabinet door (**D**) protection.



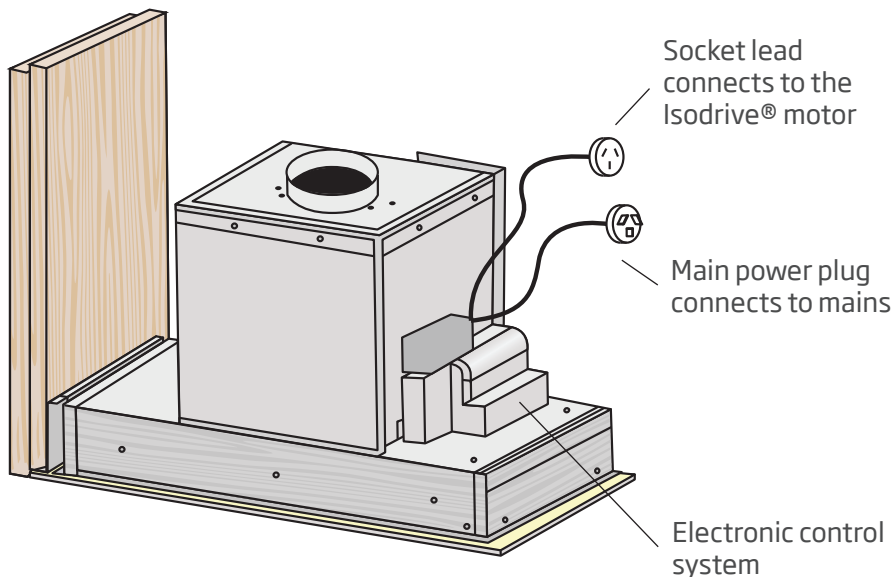
IMPORTANT

Please ensure all plastic protection on the rangehood and filters are removed before use.

Step 4

Once the rangehood is fitted into the cabinetry, connect the male and female power connections to the corresponding connections. Male to main power, female to Isodrive® motor. The ducting will attach to the outlet on the rangehood and the Isodrive® motor.

NOTE: The electronics need to be accessible after installation, in case a service is required.



RANGEHOODS

» SILENT UNDERMOUNT RANGEHOOD with automatic power-off // **KLS-9GLASSBLKS, KLS-9GLASS**

PRODUCT DETAILS

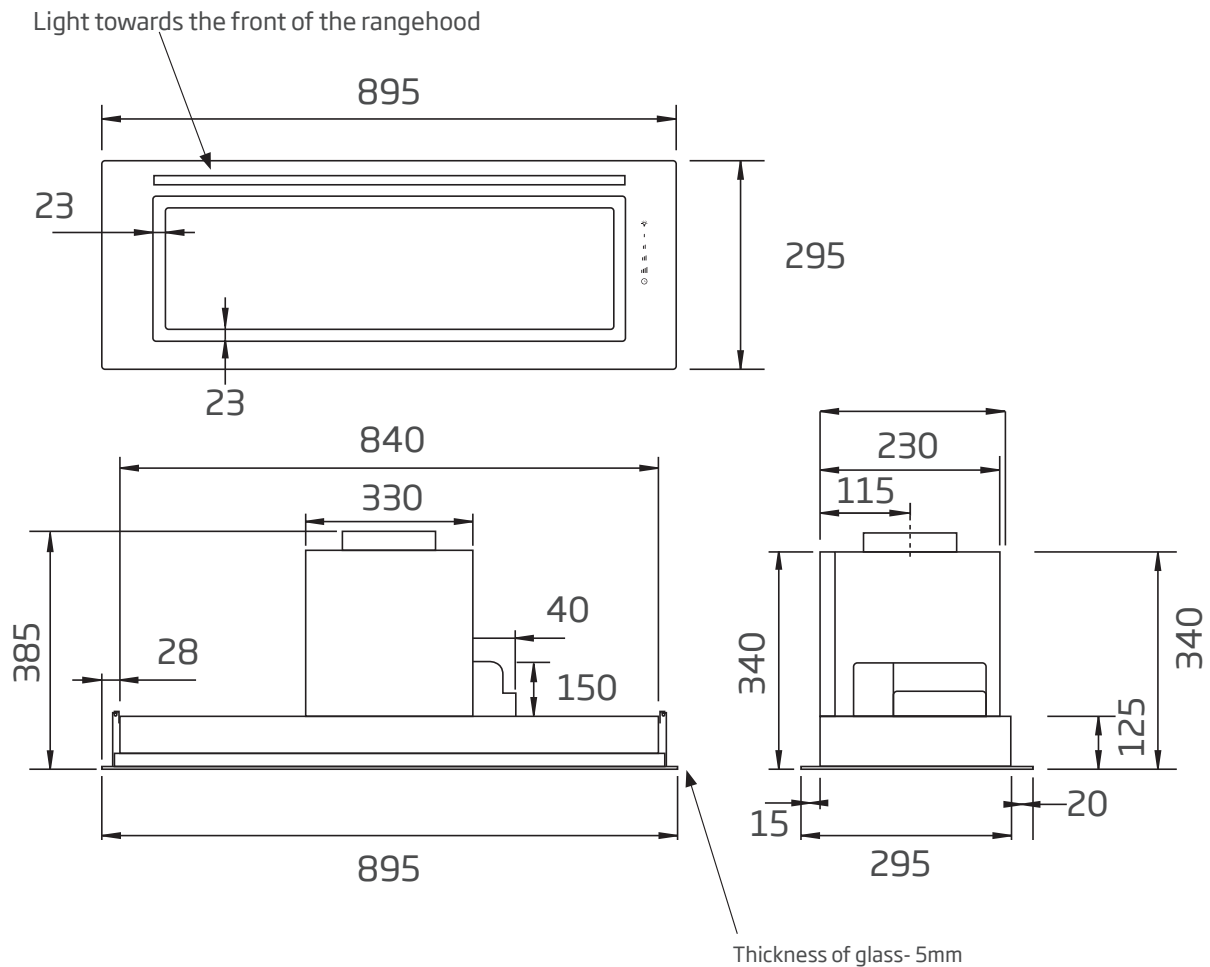
- 220-240V 50Hz
 - black or white glass
 - easy-remove, dishwasher safe aluminium filters
 - automatic power-off
 - Perimeter Aspiration
 - silent Isodrive® motor
 - powerful, silent operation
 - strip LED illumination
 - 4 extraction fan speeds with touch sensitive control
 - remote control
 - filter clean indicator
 - 5 Year Warranty
- product dimensions: (W x D) 895 x 295mm
 - 1 x aluminium filter
 - 1 x strip LED light (3.36W)

ISODRIVE POWER OPTIONS

- **ST** - single external motor, 900m³/h airflow, 200mm SteelFlex™ ducting (4m), install roof/wall
- **SP** - single external motor, 1600m³/h airflow, 200mm SteelFlex™ ducting (6m), install roof/wall
- 10 Year Warranty

MODEL OPTIONS

- KLS-9GLASS,**
895 x 295mm, white glass
- KLS-9GLASSBLKS,**
895 x 295mm, black glass



INSPIRING
INNOVATIVE
INTELLIGENT