



**EV-6UCQ, EV-9UCQ // 60cm & 90cm // SILENT**



// EV-9UCQ (90cm)



// EV-9UCQ (90cm)



// EV-6UCQ (60cm)

**PRODUCT DESCRIPTION**

- stainless steel finish
- silent motor system
- manual controls
- single speed level
- LED lighting
- aluminium, dishwasher safe filters
- 3 Year Warranty on rangehood
- 10 Year Warranty on Isodrive® motor

**TECHNICAL DATA**

**EV-6UCQ**

- dimensions: (W x D) 600 x 295mm
- 2 x mesh filters

**EV-9UCQ**

- dimensions: (W x D) 900 x 295mm
- 3 x mesh filters

**ISODRIVE® OPTIONS**

- **ST** single external motor
  - 900 m<sup>3</sup>/h airflow
  - 200mm SteelFlex™ ducting (4m)
  - install roof/wall
  - rated power: 57W



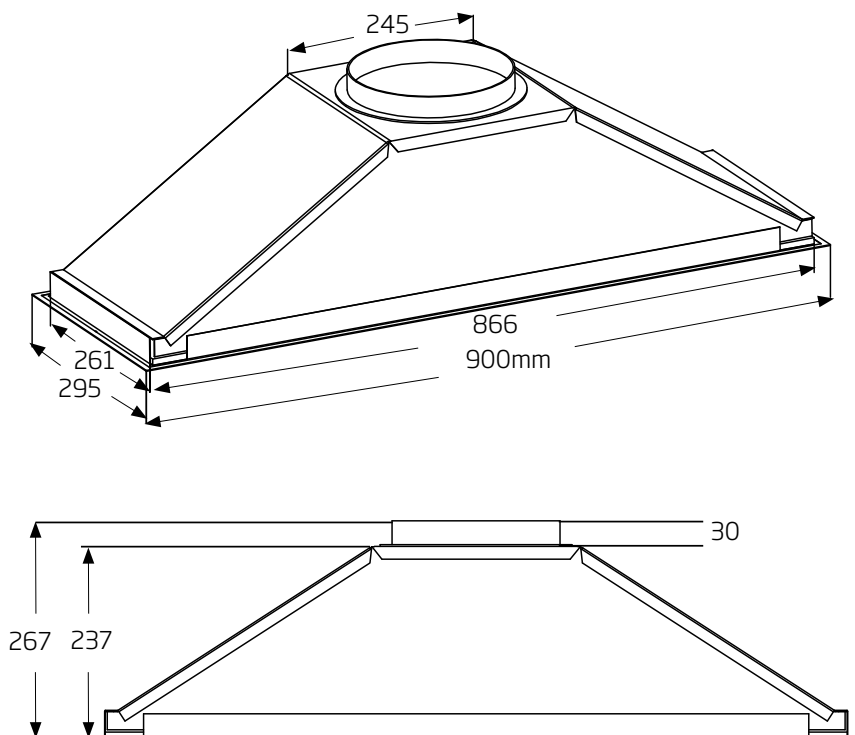
Perfectly designed for discreet mounting inside cabinetry, the popular EV-9UCQ and EV-6UCQ fit perfectly into kitchen cabinetry and are ideal for kitchens where space is limited, or where the rangehood needs to be out of sight.

Powerful and efficient extraction of steam, smoke and odours leaves kitchen air fresher for longer.

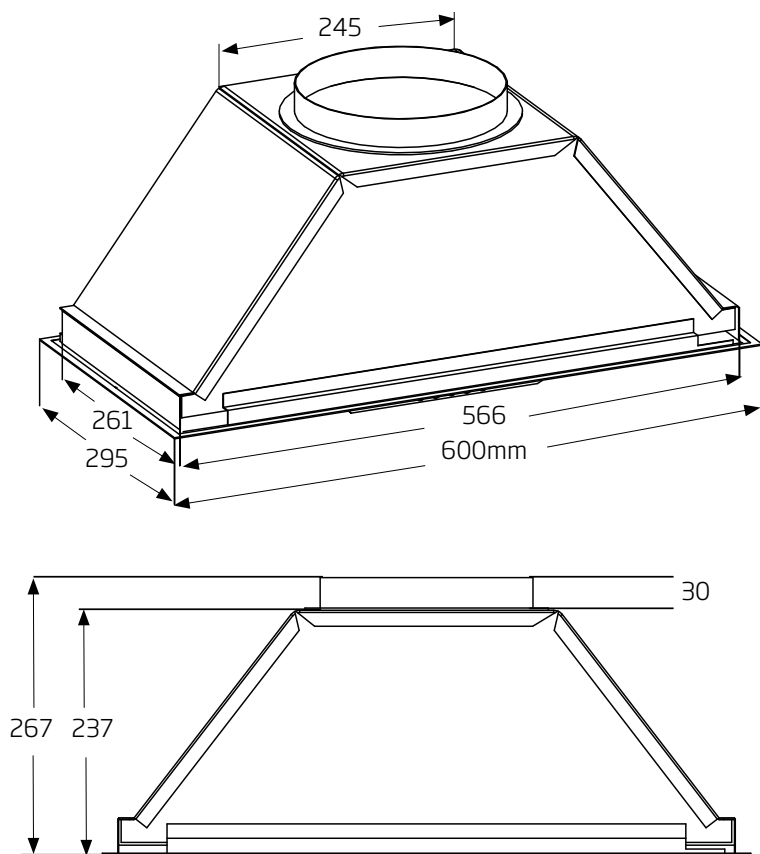


**EV-6UCQ, EV-9UCQ // 60cm & 90cm // SILENT**

**EV-9UCQ**



**EV-6UCQ**



**Model:** EV-9UCQ, EV-9UCQ

**Feeding Voltage:** 220-240V 50Hz

**Max Lamp Power:** 2 x 3W